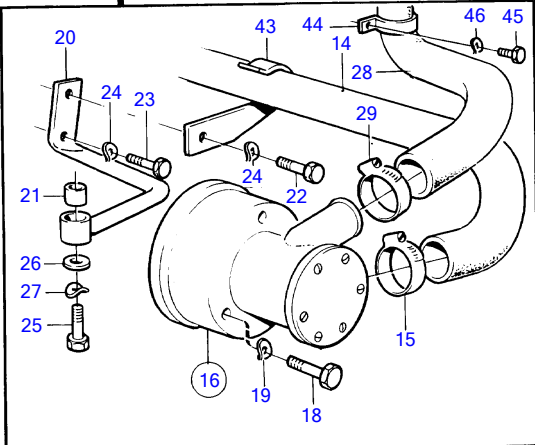
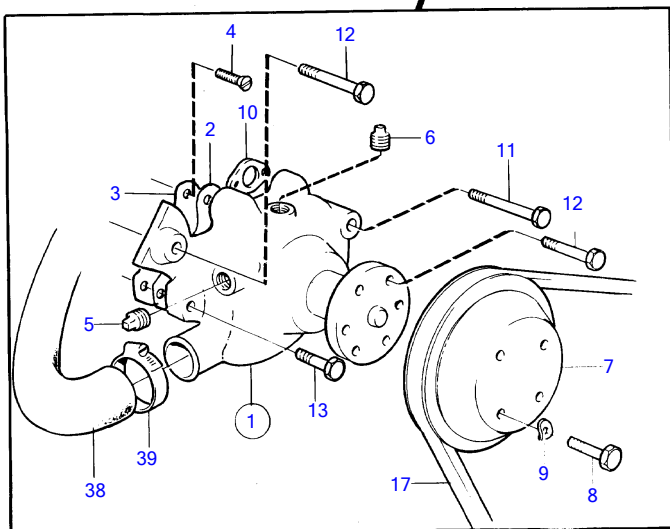
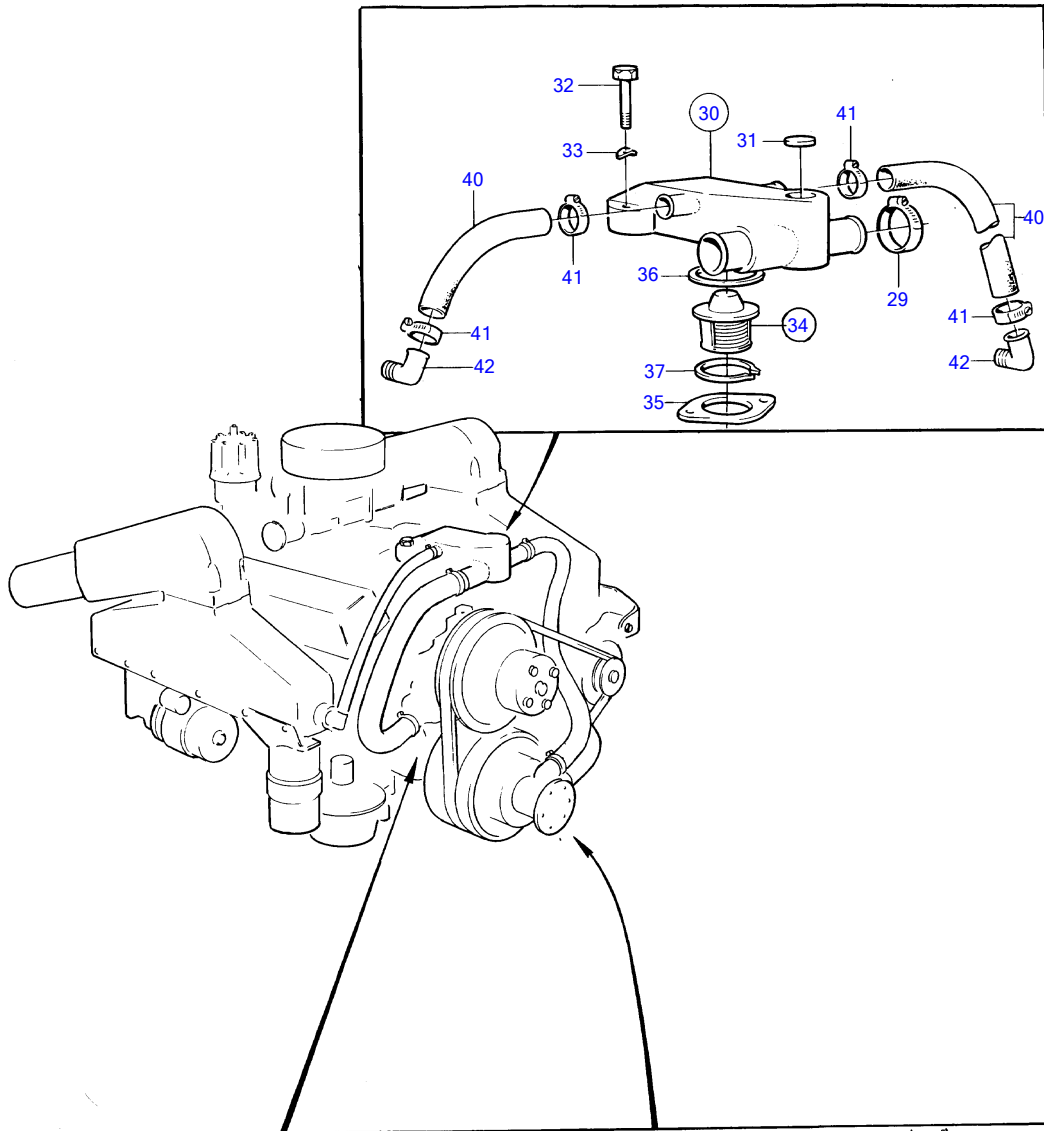


570A, 572A



10848

570A, 572A

REF	PART NO.	QTY	DESCRIPTION	SEE SEC.	NOTES
1	835390	1	Water pump		Replaced by water pump 856364, which contains 2 gaskets 835210.
2	841036	1	• Gasket		
3	(841209)	1	• Plate		Repl by 856364, Obsolete part
4	943629	6	• Flange screw		(841426)
5	952358	1	• Plug		
6	(952359)	1	• Plug		Obsolete part
7	855283	1	Pulley		
8	(955655)	4	Hexagon screw		Obsolete part
9	941907	4	Spring washer		
10	835210	2	Gasket		
11	940162	1	Hexagon screw		
12	955536	2	Hexagon screw		
13	955540	1	Hexagon screw		
14	855373	1	Hose		Intake-sea water pump, 570A, early type
	(857044)	1	Hose		Intake-sea water pump, 570A, late type, Obsolete part
	(857044)	1	Hose		Intake-sea water pump, 572A, Obsolete part
15	961669	2	Hose clamp		
16	855722	1	Sea water pump		Replaced by sea water pump 856952 and 3 screwS 948324.
			•	12499	
	856952	1	Sea water pump		Repl by 857451
			•	12498	
	857451	1	Sea water pump		
			Bulletin P-26-6-5	P-26-6-5-EN	New seawater pump kits
16			•	12498	
17	966857	1	V-belt		
18	948324	3	Hex. socket screw		
19	942336	3	Spring washer		Early type
20	826421	1	Torque rod		Early type
	857355	1	Stay		Late type
21	826422	1	Rubber bushing		
22	940115	1	Hexagon screw		Early type
23	955534	1	Hexagon screw		Early type
	944209	2	Flange screw		Late type
24	942336	2	Spring washer		Early type
25	955523	1	Hexagon screw		
26	960141	1	Washer		
27	941907	1	Spring washer		
28	826423	1	Hose		
29	961669	3	Hose clamp		
30	855485	1	Thermostat housing		
31	477026	1	• Expansion plug		(192426)
32	955537	2	Hexagon screw		
33	942336	2	Spring washer		
34	876305	1	Thermostat kit		62°C
35	835417	1	• Gasket		(1317466)
36	416033	1	Sealing ring		
37	855486	1	Lock ring		
38	834906	1	Hose		
39	961671	2	Hose clamp		
40	952970	X	Hose		L=2X350mm
41	961666	4	Hose clamp		
42	961610	2	Hose nipple	12489	
43	(855567)	1	Attaching clamp		Obsolete part
	857045	1	Attaching clamp		For hose 857044.
44	841307	1	Clamp		
45	955534	1	Hexagon screw		
46	942336	1	Spring washer		